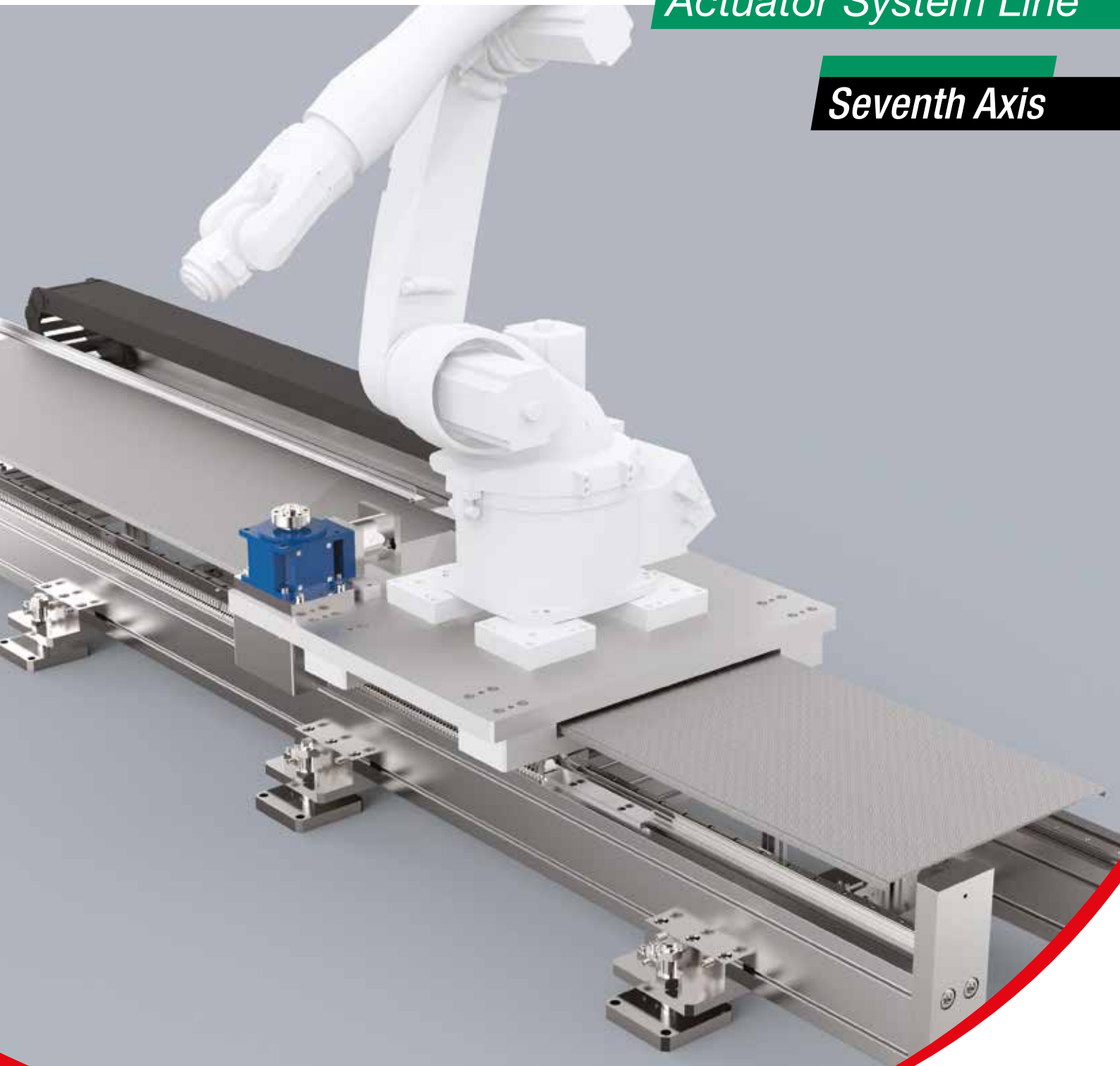


**ROLLON**<sup>®</sup>  
Linear Evolution

Actuator System Line

Seventh Axis



Product Overview  
English

[www.rollon.com](http://www.rollon.com)

# Seventh Axis

## Advantages



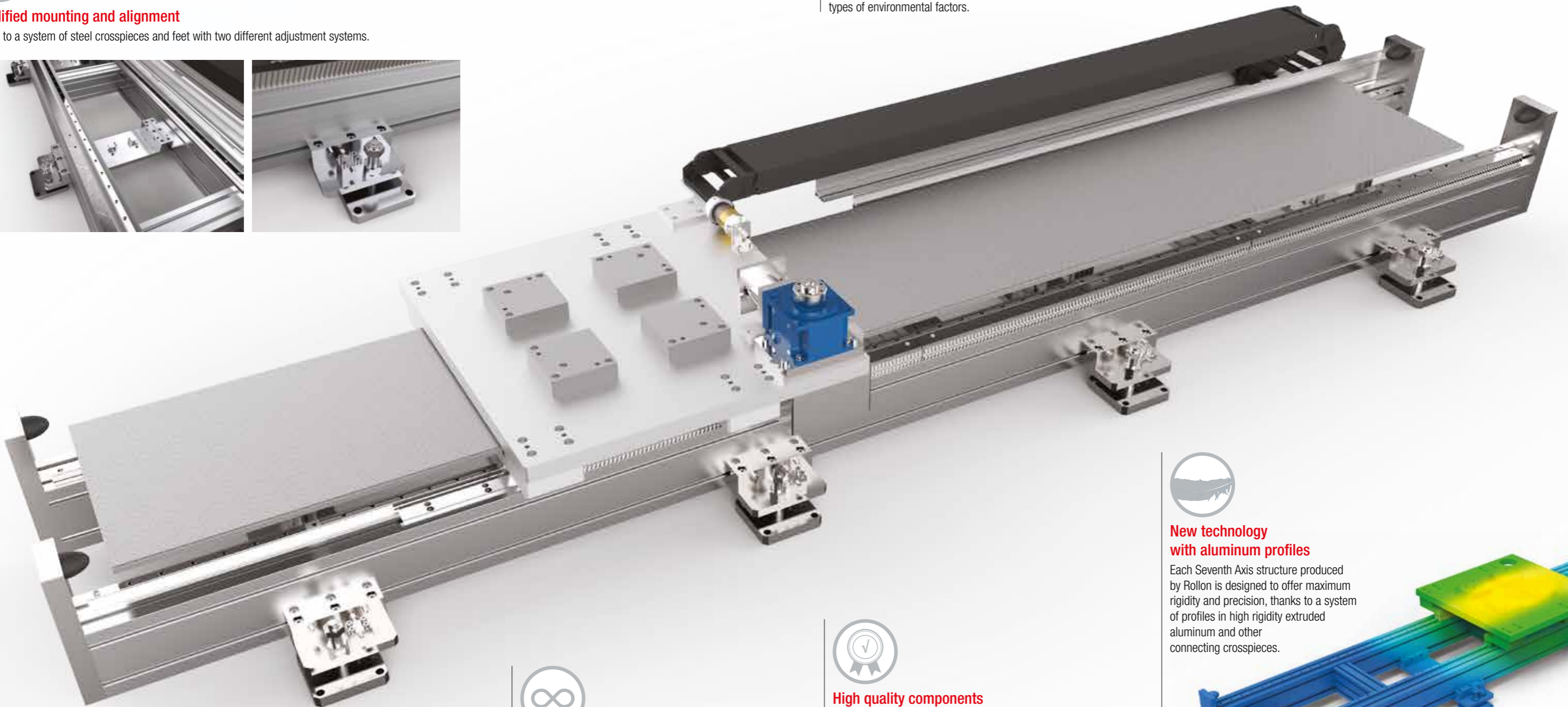
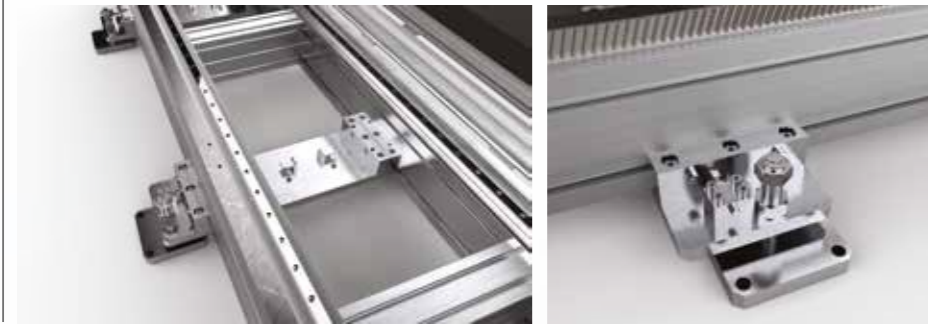
### Increases the robot's range of motion.

By utilizing a shuttle system, a robot can be moved over long distances with a high dynamic range. Available in 7 different sizes, Rollon Seventh Axis is easy to integrate and can move any type of robot weighing up to 2000 Kg.



### Simplified mounting and alignment

Thanks to a system of steel crosspieces and feet with two different adjustment systems.



### Protection for every work environment

The Seventh Axis can be configured with different options to protect it from different types of environmental factors.



### Easily integrated with any type of robot

A complete range of 7 different sizes guarantees simple integration for any type of robot, weighing up to 2000 Kg.



### Reliability backed by decades of experience

Seventh Axis by Rollon was created from 40 years of expertise in designing and producing linear motion systems.



### Potentially infinite strokes

Thanks to jointable, self-centering inserts.



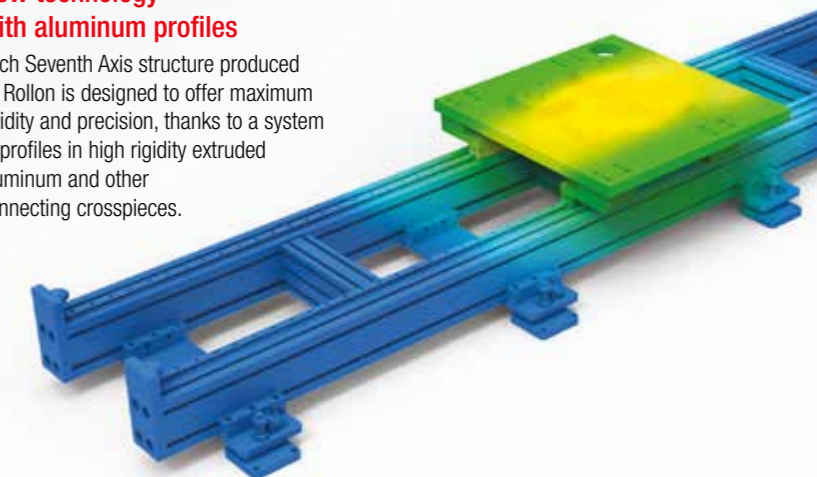
### High quality components

Designed with carefully selected high quality components: tempered racks with helical teeth, rails with recirculating rollers and planetary or hypoid bevel gearboxes.



### New technology with aluminum profiles

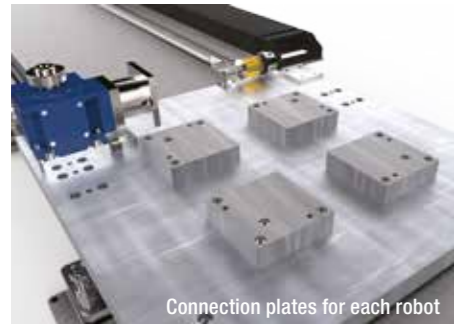
Each Seventh Axis structure produced by Rollon is designed to offer maximum rigidity and precision, thanks to a system of profiles in high rigidity extruded aluminum and other connecting crosspieces.





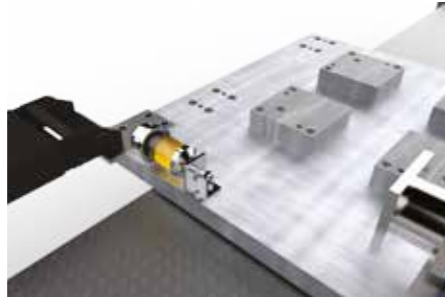
# Seventh Axis

## Components and Accessories



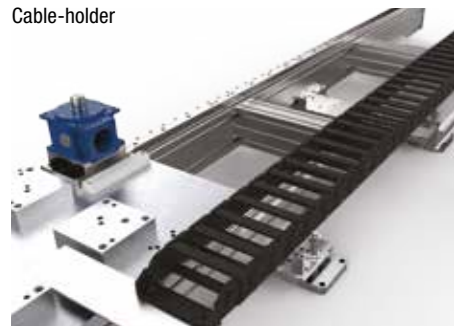
Connection plates for each robot

Rack lubrication system



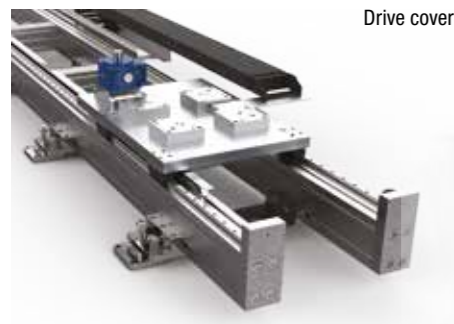
Rack lubrication system

Cable-holder



Proximity

Rubber/gas decelerators



Drive cover



Trafficable cover



Drive / rail cover

Two types of gearboxes



Additional carriages with anti-collision systems



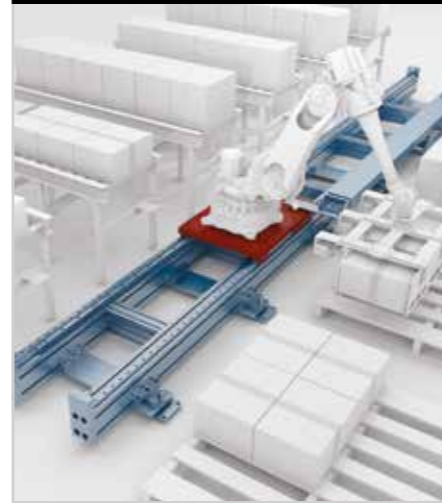
Rail lubrication



## Examples of Applications



Palletisation



Automation of machine tools



Folding sheet metal



Welding



Gluing



Painting



# Seventh Axis

## Technical Features



| Reference    |          | Section |               | Drive |      | Anti-corrosion | Protection |                 |                   | Size    | Number of profiles | Load capacity with high dynamics* [Kg] | Load capacity with low dynamics** [Kg] | Maximum speed [m/s] | Maximum acceleration [m/s <sup>2</sup> ] | Repeatability [mm] | Maximum stroke [mm] | Examples of Robots***   |
|--------------|----------|---------|---------------|-------|------|----------------|------------|-----------------|-------------------|---------|--------------------|--|--|---------------------|--|--------------------|---------------------|---|
| Family       | Product  | Rollers | Ball Bearings | Rack  | Belt |                | Drive      | Drive and rails | Trafficable cover |         |                    |  |  |                     |  |                    |                     |   |
| Seventh Axis | SEV220-1 |         |               |       |      |                | √          |                 |                   | 220x100 | 1                  | 15                                     | 50                                     | 3                   | 4  | +/-0,05            | 5000                | MITSUBISHI RV-2S<br>NACHI MZ04  |
|              | SEV80-2  |         |               |       |      |                | √          | √               |                   | 80x80   | 2                  | 25                                     | 100                                    | 3                   | 4  | +/-0,05            | 5000                | FANUC LR Mate 200<br>MITSUBISHI RV-5F, RH-3FH<br>COMAU Rebel S6, Racer 5<br>NACHI MZ07                      |
|              | SEV280-1 |         |               |       |      |                | √          | √               | √                 | 170x280 | 1                  | 50                                     | 300                                    | 3                   | 4  | +/-0,05            | 46000               | ABB IRB120<br>FANUC LR MATE200iD<br>KUKA KR6 Agilus<br>MITSUBISHI RH20FH, RV-6F<br>COMAU Racer 5            |
|              | SEV170-2 |         |               |       |      |                | √          | √               | √                 | 170x120 | 2                  | 100                                    | 500                                    | 4                   | 4  | +/-0,05            | 46000               | ABB IRB1600, IRB2600<br>FANUC M-10iA<br>KUKA KR16, KR20<br>MITSUBISHI RV-7F, RV-20F<br>COMAU Racer 7, SIX 6 |
|              | SEV220-2 |         |               |       |      |                | √          | √               | √                 | 220x120 | 2                  | 300                                    | 800                                    | 4                   | 4  | +/-0,05            | 46000               | ABB IRB260<br>FANUC M-20iA<br>KUKA KR30<br>COMAU NS12, NJ16   |
|              | SEV280-2 |         |               |       |      |                | √          | √               | √                 | 280x170 | 2                  | 500                                    | 1200                                   | 3                   | 3  | +/-0,05            | 46000               | ABB IRB460<br>FANUC M-710iC<br>KUKA KR30, KR60<br>COMAU NJ40, NJ60  |
|              | SEV360-2 |         |               |       |      |                | √          | √               | √                 | 360x200 | 2                  | 800                                    | 2000                                   | 2                   | 2  | +/-0,05            | 46000               | ABB IRB460, IRB6620<br>FANUC R2000iC 165F<br>KUKA KR QuanteK 120-150<br>COMAU NJ130 2.6                     |

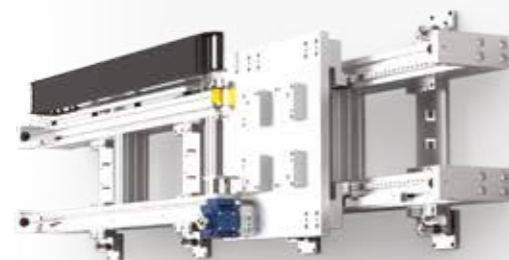
The data shown must be verified on the basis of the application.

\* The values shown refer to the maximum dynamics reported in this table. The load capacities refer to floor mount version.

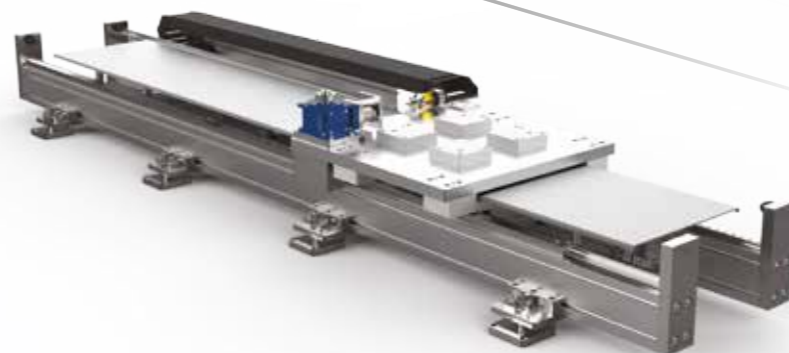
\*\* The load capacities refer to floor mount version. For more information, contact the Rollon technical office.

\*\*\* Robot example mentioned are approximate. For a correct choice and size of the robot contact the Rollon technical office.

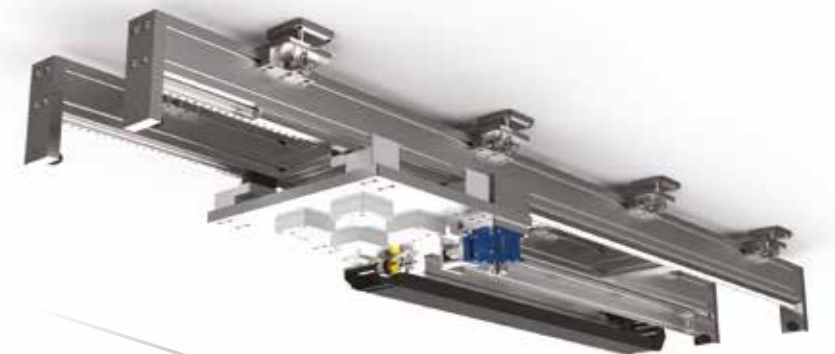
## Mounting Options



Wall mount



Floor mount



Ceiling mount





## ROLLON S.p.A. - ITALY



Via Trieste 26  
I-20871 Vimercate (MB)  
Phone: (+39) 039 62 59 1  
www.rollon.it - infocom@rollon.it

● Rollon Branches & Rep. Offices  
● Distributors

### Branches:

## ROLLON GmbH - GERMANY



Bonner Strasse 317-319  
D-40589 Düsseldorf  
Phone: (+49) 211 95 747 0  
www.rollon.de - info@rollon.de

## ROLLON B.V. - NETHERLANDS



Ringbaan Zuid 8  
6905 DB Zevenaer  
Phone: (+31) 316 581 999  
www.rollon.nl - info@rollon.nl

### Rep. Offices:

## ROLLON S.p.A. - RUSSIA



117105, Moscow, Varshavskoye  
shosse 17, building 1  
Phone: +7 (495) 508-10-70  
www.rollon.ru - info@rollon.ru

## ROLLON S.A.R.L. - FRANCE



Les Jardins d'Eole, 2 allée des Séquoias  
F-69760 Limonest  
Phone: (+33) (0) 4 74 71 93 30  
www.rollon.fr - infocom@rollon.fr

## ROLLON Corporation - USA



101 Bilby Road. Suite B  
Hackettstown, NJ 07840  
Phone: (+1) 973 300 5492  
www.rolloncorp.com - info@rolloncorp.com

## ROLLON Ltd - UK



The Works 6 West Street Olney  
Buckinghamshire, United Kingdom, MK46 5 HR  
Phone: +44 (0) 1234964024  
www.rollon.uk.com - info@rollon.uk.com

## ROLLON Ltd - CHINA



No. 16 Jin Wen Road,  
China, Shanghai, 201323  
Phone: +86 21 5811 8288  
www.rollon.cn.com - info@rollon.cn.com

## ROLLON India Pvt. Ltd. - INDIA



1st floor, Regus Gem Business Centre, 26/1  
Hosur Road, Bommanahalli, Bangalore 560068  
Phone: (+91) 80 67027066  
www.rollonindia.in - info@rollonindia.in

### Regional Manager:

## ROLLON - SOUTH AMERICA



R. Joaquim Floriano, 397, 2o. andar  
Itaim Bibi - 04534-011, São Paulo, BRASIL  
Phone: +55 (11) 3198 3645  
www.rollonbrasil.com.br - info@rollonbrasil.com

## ROLLON - JAPAN



3F Shiodome Building, 1-2-20 Kaigan, Minato-ku,  
Tokyo 105-0022 Japan  
Phone +81 3 6721 8487  
info.japan@rollon.com - www.rollon.jp

Consult the other ranges of products



Distributor

All addresses of our global sales partners can also be found at [www.rollon.com](http://www.rollon.com)